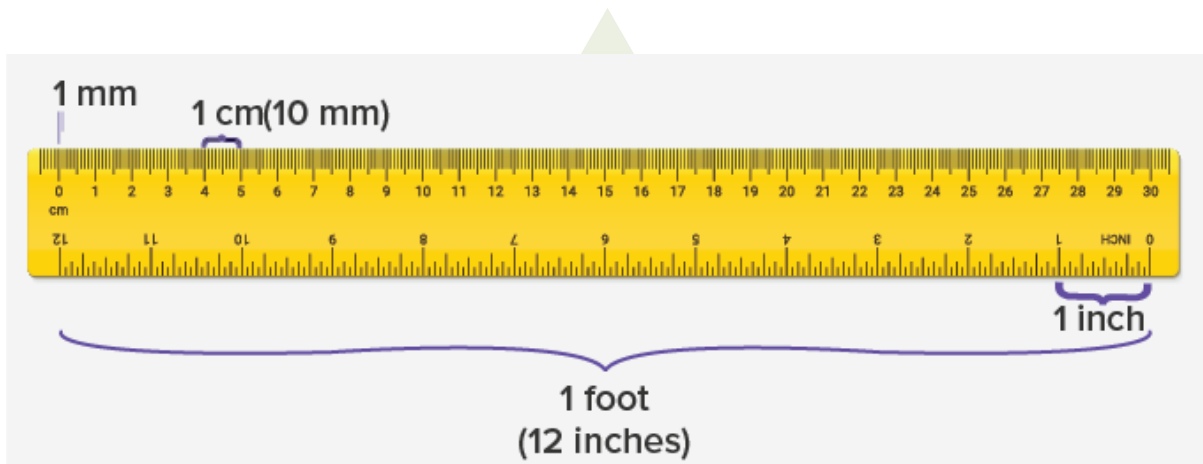




Length & Width & Height

Measurements:

- 10 millimetres (mm) = 1 centimetre (cm)
- 100 centimetres (cm) = 1 metre (m)
- 1000 meters (m) = 1 kilometre (km)
- 1.6 kilometres (km) = 1 mile (mi)
- 12 inches (inch) = 1 foot (f)
- 3.2 feet (f) = 1 metre (m)
- 1 metre (m) = 1.09 yards (yd)



Q.1. Fill in the blank space with suitable words.

Nouns	Adjectives
Length	
	Wide
Height	





Q.2. Look carefully at figure “A” and answer the questions under the figure.

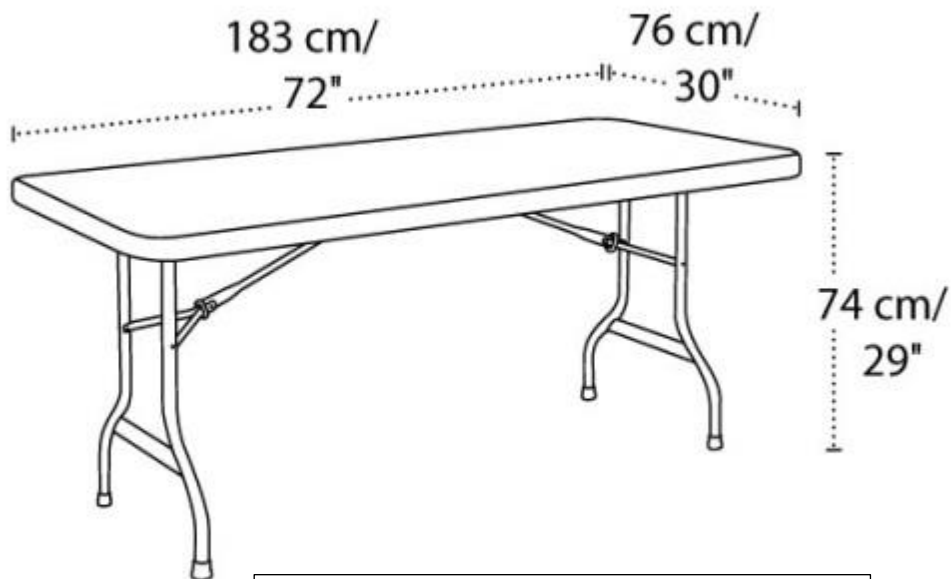


Figure A: Source:
<https://www.displays2go.com.au/blog/what-is-the-standard-size-of-a-trestle-table/>

- A. What is the length of the table in cm?
- B. What is the length of the table in meters?
- C. What is the length of the table in inches?
- D. What is the width of the table in cm?
- E. What is the height of the table in cm and inches?
- F. If the space in my room is 70 inches, should I buy this table? Give a reason for your answer.
- G. I have a revolving chair that I bought to go with this table. Its height is 74 centimetres. Will it be suitable if I want to use this table as my workstation? Give a reason.
- H. Can I fit a small bench under this table? Its height is 32 cm.





Q.3. Look carefully at figure "B" and answer the questions under the figure.

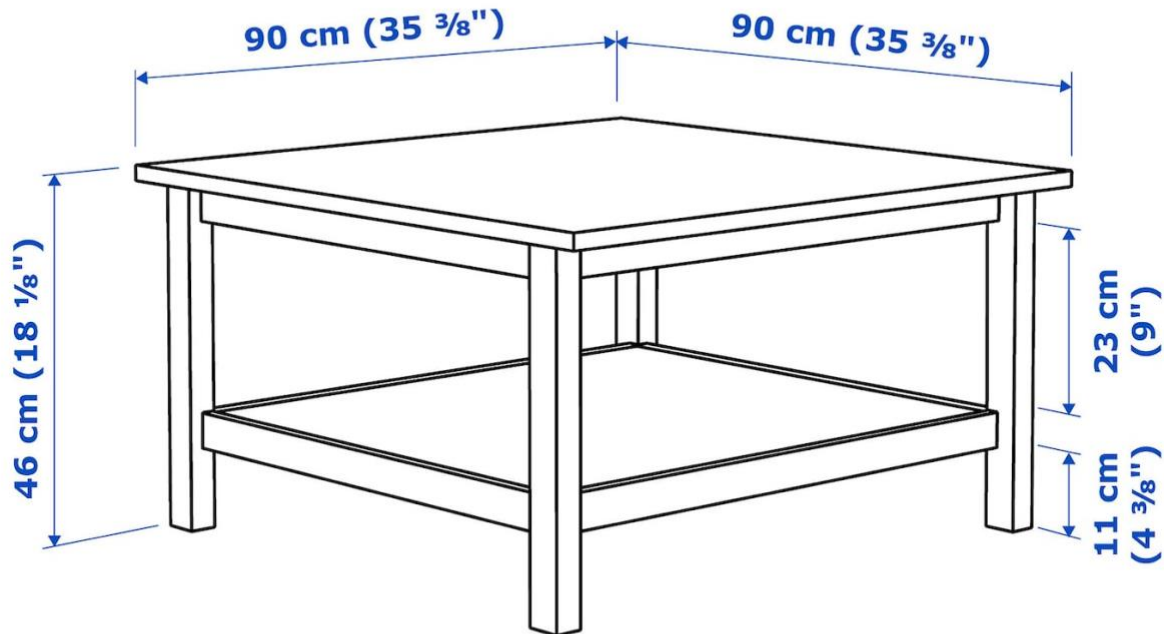


Figure B: Source: <https://www.ikea.com/gb/en/p/lack-coffee-table-white-80449901/>

- A. What is the length of this table in cm?
- B. What is the width of this table in cm?
- C. What is the height of this table in cm?
- D. What is the height from the ground to the lower part of the base in inches?
- E. What is the height from the base to the lower part of the top in inches?
- F. What is the total height of the table from the ground to the top in cm and inches?
- G. What is the difference between the length and width of the table?





Q.4. The length of my room is 4 metres while the width is 3 metres. What is the area of my room?

Q.5. What is the difference between the heights of the Eifel Tower in Paris and the Burj Khalifa in Dubai?

Q.6. Click this link

http://news.bbc.co.uk/sport1/hi/football/rules_and_equipment/4200666.stm and find out:

The length of a football pitch in metres and yards:

The length of a football penalty box in metres and yards?

Q.7. Which is the tallest (highest) building in the UK, and what is its height in metres?

Q.8. What is the length of the River Nile?

Q.9. What is the height of Mount Everest?

Q.10. What is the width of the pyramid of Giza in Egypt?

Q.11. What is the distance between Manchester and London in miles?

Q.12. The distance between Manchester and Liverpool is 54 km. What is it in miles?

Q.13. I usually travel approximately 45 km every week. How many km do I travel in a month?

Q.14. Tomorrow I am going for a long drive. I will travel to Liverpool, from there to Birmingham and then to Stratford Upon Avens. In the evening, I will travel back to Manchester from Stretford Upon Avon. Please check Google and how many miles I will travel in total.

Q.15. The distance between my home and work is about 10 miles by road and about 7 miles as the crow flies. What is the difference between both distances? Which is the shorter route, and which one is the longer route?

