



Shapes

Dimensions

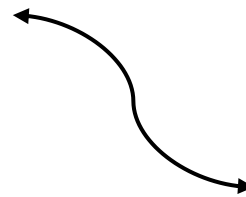
Length – Width – Depth

1D – A shape with one dimension – Length

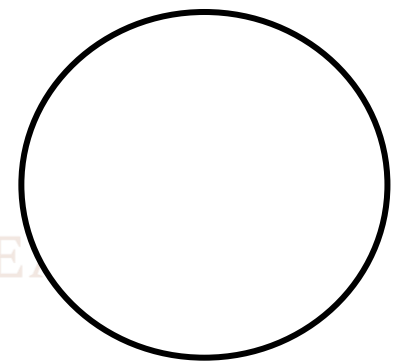
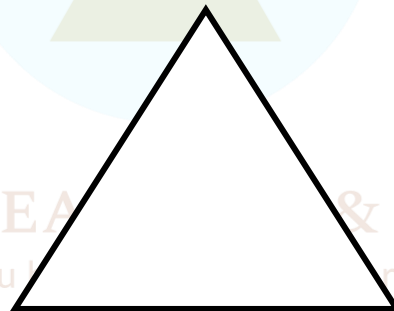
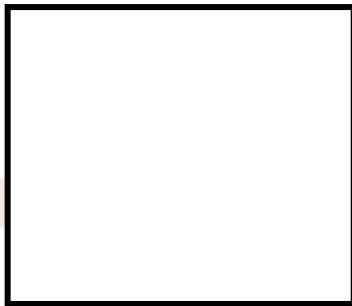
2D – A shape with two dimensions – Length and Width

3D – A shape with three dimensions – Length, Width & Depth

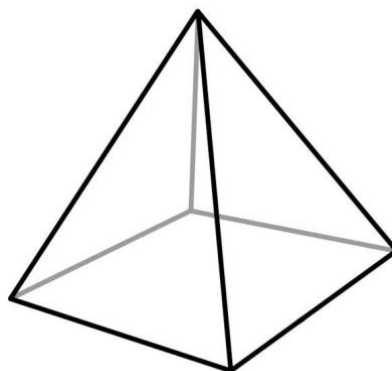
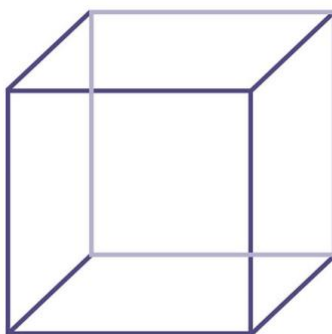
1 D Shapes



2 D Shapes



3 D Shapes





Search the online dictionary and find the definitions of the following terms.

Radius: _____

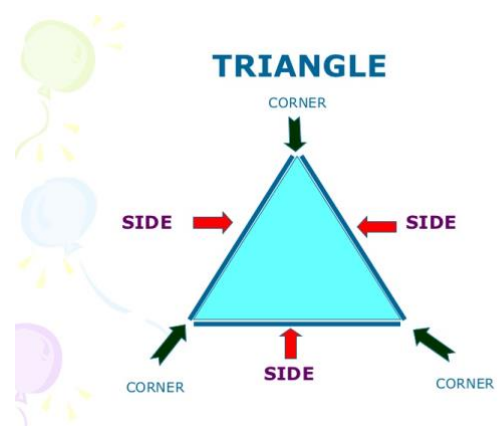
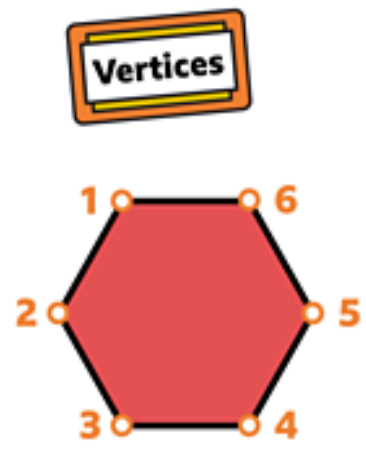
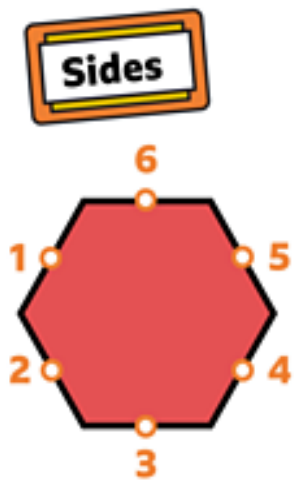
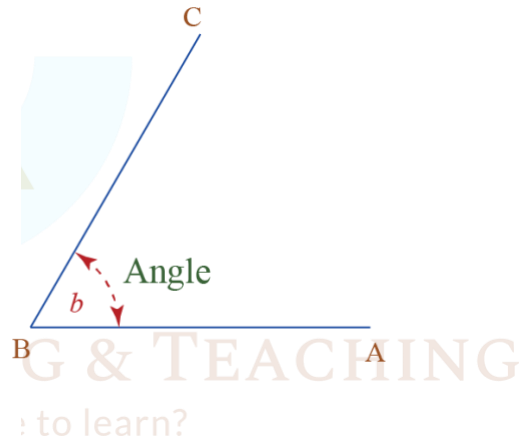
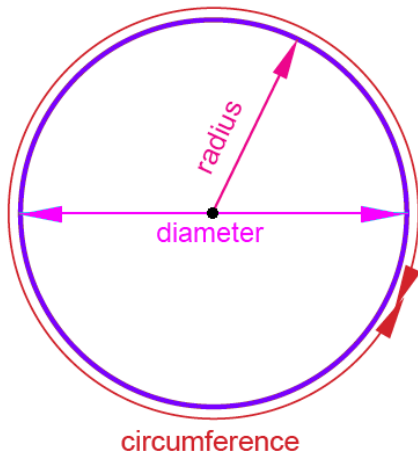
Diameter: _____

Circumference: _____

Angle: _____

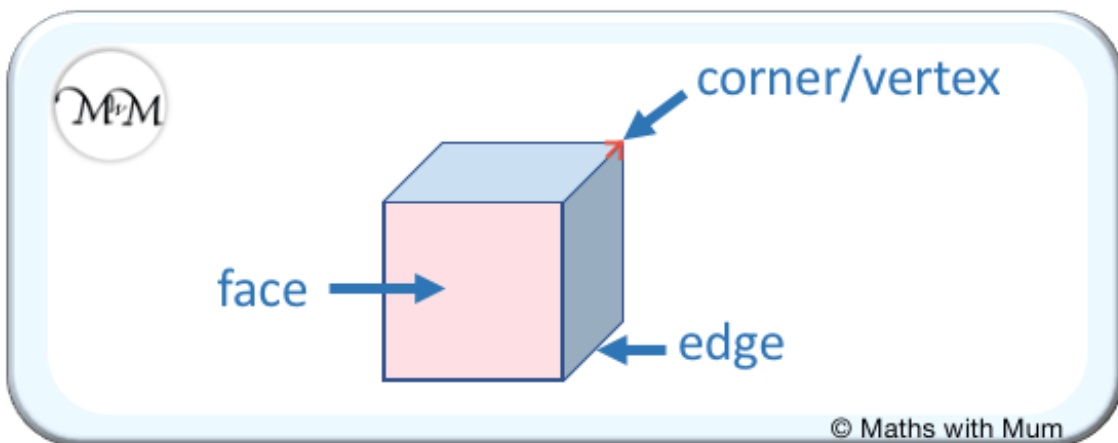
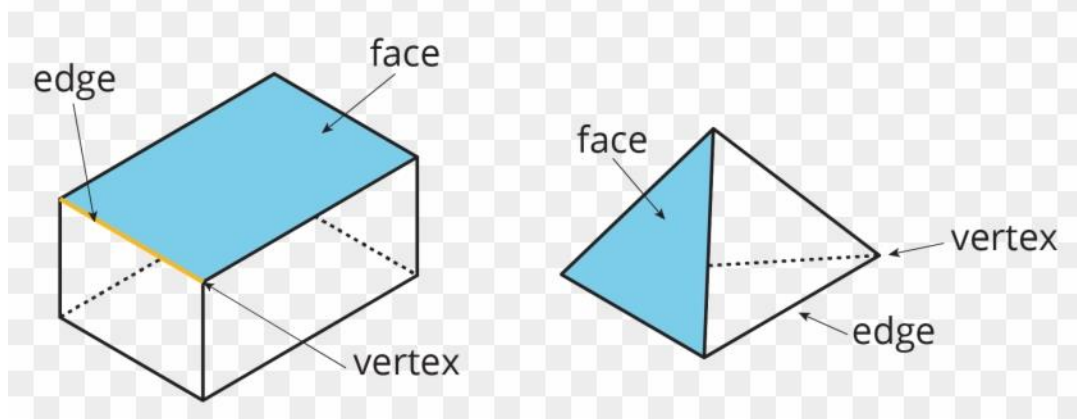
Corner: _____

Side: _____





Source: https://www.pngfind.com/mpng/TRRibii_how-many-corners-and-sides-do-the-2d/



K

G

Cube



6 faces
12 edges
8 corners

Cuboid



6 faces
12 edges
8 corners

Cylinder



3 faces
2 curved edges
0 corners

Pyramid



5 faces
8 edges
5 corners

Cone



2 faces
1 curved edge
1 corner

Sphere

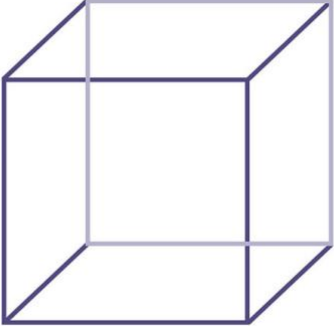
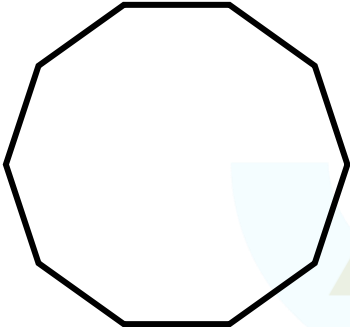




1 curved face
0 edges
0 corners





Q. 1. Work with a partner. Use the information learnt above and complete the following table.

Shapes	Sides	Corners	Vertices	Faces	Edges
					
					
					
					





Q.2. All names, sides, and shapes are jumbled in the table below. Work with a partner. Use Google to look for the correct shapes. Match the correct names, sides, and shapes. Use the empty table on the next page and write names and sides in the correct order. Draw the shapes in front of their names and correct sides.

Name	Sides	Shape
Quadrilateral	one side	
Pentagon	two sides	
Monogon	three sides	
Hexagon	four sides	
Heptagon	five sides	
Triangle	six sides	
Octagon	seven sides	
Digon	eight sides	
Nonagon	nine sides	
Decagon	ten sides	



